

# .187" Series Nylon-insulated Female Terminal



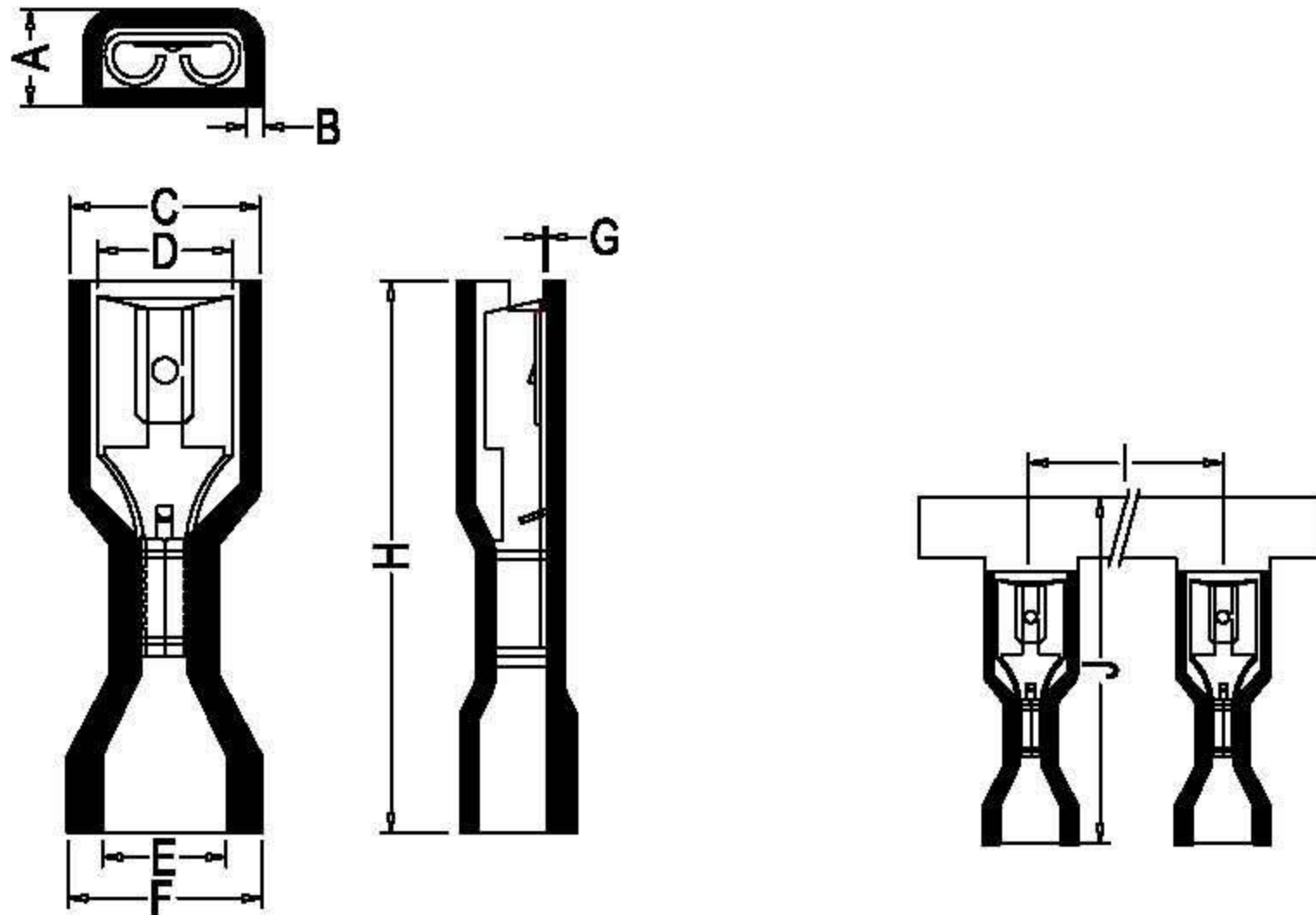
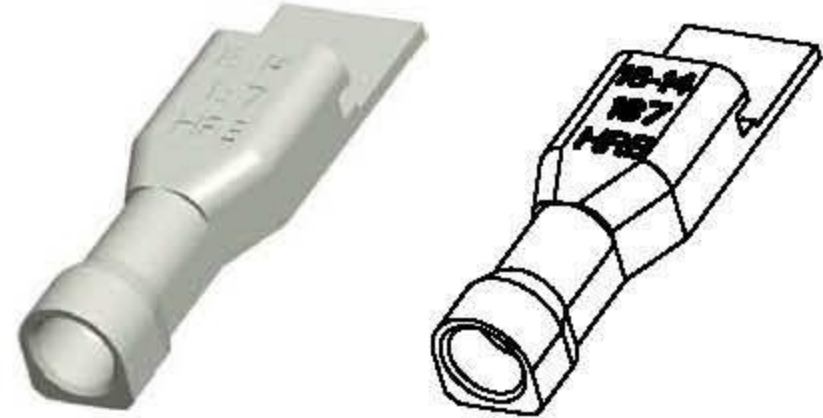
Connector & Terminal

Shenzhen Hongru Connector Co., Ltd

Email: yukyli@hrb-connector.com  
 Tel: 86-0755 2709 6669  
 Fax: 86-0755 2709 2392  
 Skype: haiyuncheng-vivian  
 Mobile(whatsapp): 86-186 8112 3590  
 Website: http://www.hrb-connector.com

**SPECIFICATIONS:**

- Current Rating: AWG#22~#18 :10A AC,DC  
 AWG#16~#14 :15A AC,DC
- Voltage rating: 300V AC,DC
- Operating temperature: -25°C~+105°C
- Material: Housing: Nylon66 UL 94V-2  
 Terminal: Brass. Tin-plated
- Tab Size: 4.75x0.50 mm Or 4.75x0.80 mm
- The Insertion Force And Male Terminal: 7.8kg (max.)
- The Withdrawal Force And Male Terminal: 3.0kg (Min.)
- Crimp tensile strength: AWG#22~#18: 5.0kg (Min.)  
 AWG#16~#14: 10.0kg (Min.)
- File No: E322751



ordering information and dimensions

	Part NO.	A	B	C	D	E	F	G	H	I	J	Wire Size	Ins. Dia. max	
187#	M6350FN(S)-8(5)-R1	4.20	0.75	7.80	5.87	6.15	7.60	0.35	23.90	18.75	30.40	AWG#22~#18	5.84mm	
	M6350FN(S)-8(5)-R	4.20	0.75	7.80	5.87	3.80	5.30	0.35	21.90	18.75	28.30	AWG#22~#18	3.05mm	
	M6350FN(S)-8(5)-b1	4.70	0.75	7.80	5.87	6.85	8.30	0.35	23.90	18.75	30.30	AWG#16~#14	6.60mm	
	M6350FN(S)-8(5)-b	4.70	0.75	7.80	5.87	4.30	5.80	0.35	21.90	18.75	28.30	AWG#16~#14	4.06mm	
	M6350FN(S)-8(8)-R1	4.20	0.75	7.80	5.87	6.15	7.60	0.35	23.90	18.75	30.40	AWG#22~#18	5.84mm	
	M6350FN(S)-8(8)-R	4.20	0.75	7.80	5.87	3.80	5.30	7.60	0.35	21.90	18.75	28.30	AWG#22~#18	3.05mm
	M6350FN(S)-8(8)-b1	4.70	0.75	7.80	5.87	6.85	8.30	0.35	23.90	18.75	30.30	AWG#16~#14	6.60mm	
	M6350FN(S)-8(8)-b	4.70	0.75	7.80	5.87	4.30	5.80	0.35	21.90	18.75	28.30	AWG#16~#14	4.06mm	