

# 6.35mm(.250") Wire To Wire And Wire To Board Connector

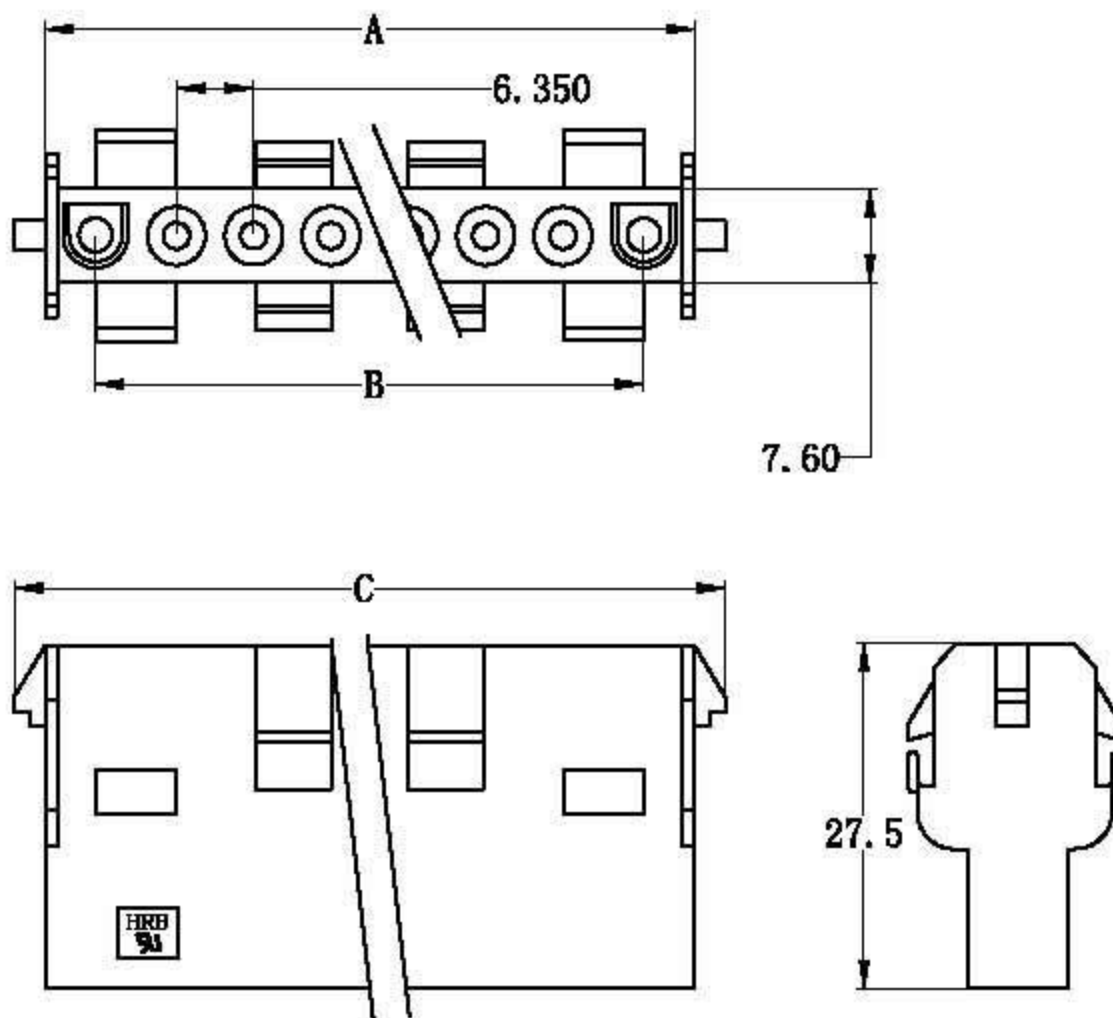
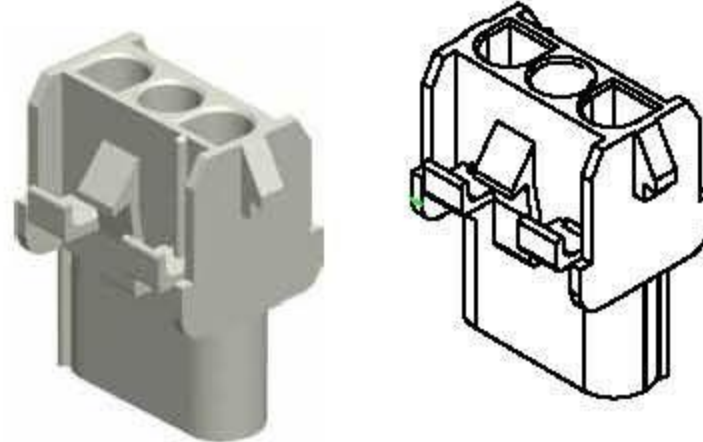


## SPECIFICATIONS:

- Current Rating:15A AC,DC
- Voltage Rating:600V AC,DC
- Operating Temperature:V2:-25℃~+85℃  
V0:-40℃~+135℃
- Contact Resistance:10mΩ max.
- Insulation Resistance:1000MΩ Min.
- Withstanding Voltage:5000V AC/minute
- Material:Nylon66 UL94V-2 /UL94V-0
- UL File No:E304945
- Terminal In Housing Retention Force Requirement:8.0kg (Min.)
- GWT:750℃ IEC-60335-1

Shenzhen Hongru Connector Co., Ltd

Email:yukyli@hrb-connector.com  
Tel: 86-0755 2709 6669  
Fax: 86-0755 2709 2392  
Skype: haiyuncheng-vivian  
Mobile(whatsapp): 86-186 8112 3590  
Website: http://www.hrb-connector.com



## Ordering Information And Dimensions

Part NO.		Circuits	Dimensions		
TYP UL94 V-2	TYP UL94 V-0		Dim:A	Dim:B	Dim:C
P9858-1x2-A-B-H-A/B	P9858-1x2-W-A-H-A/B	2	14.10	6.35	19.10
P9858-1x3-A-B-H-A/B	P9858-1x3-W-A-H-A/B	3	20.50	12.70	25.35
P9858-1x4-A-B-H-A/B	P9858-1x4-W-A-H-A/B	4	26.80	19.05	31.60
P9858-1x5-A-B-H-A/B	P9858-1x5-W-A-H-A/B	5	33.30	25.20	38.30
P9858-1x6-A-B-H-A/B	P9858-1x6-W-A-H-A/B	6	39.65	31.75	44.50
P9858-1x7-A-B-H-A/B	P9858-1x7-W-A-H-A/B	7	46.00	38.10	50.80
P9858-1x8-A-B-H-A/B	P9858-1x8-W-A-H-A/B	8	52.25	44.45	57.15

