

.110" Series Nylon-insulated Female Terminal



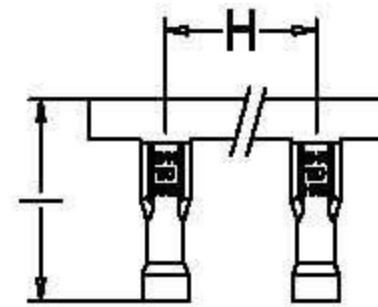
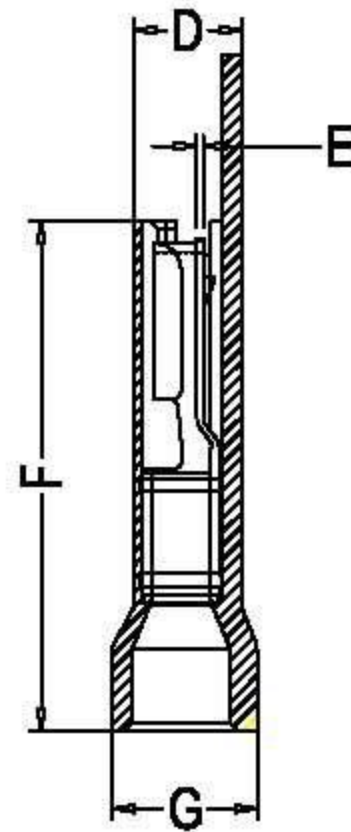
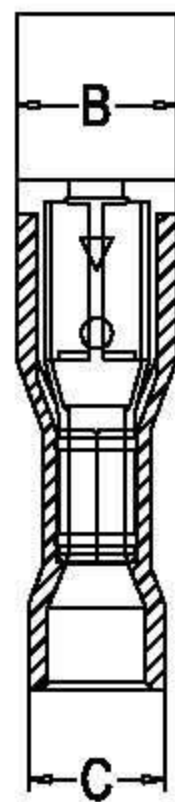
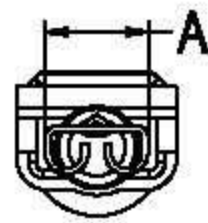
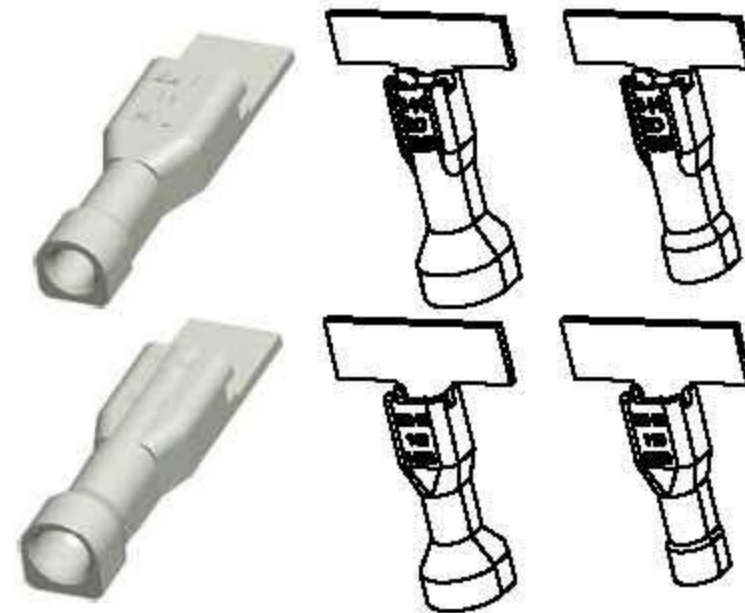
Connector & Terminal

Shenzhen Hongru Connector Co., Ltd

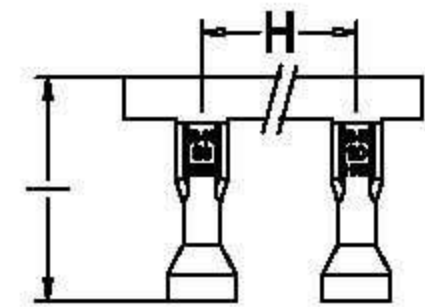
Email: yukyli@hrb-connector.com
 Tel: 86-0755 2709 6669
 Fax: 86-0755 2709 2392
 Skype: haiyuncheng-vivian
 Mobile(whatsapp): 86-186 8112 3590
 Website: http://www.hrb-connector.com

SPECIFICATIONS:

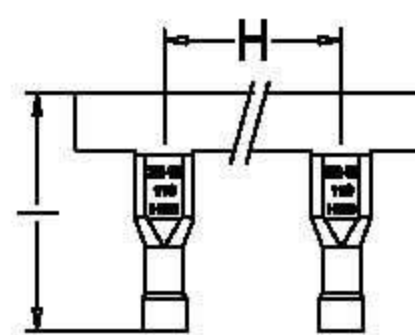
- Current Rating: AWG#22~#18: 10A AC, DC
 AWG#16~#14: 15A AC, DC
- Voltage Rating: 300V AC, DC
- Temperature Range: -25°C~+105°C
- Material: Housing: Nylon66 UL 94V-2
 Terminal: Brass. Tin-plated
- Tab Size: 2.80x0.80mm Or 2.80x0.50mm
- The Insertion Force And Male Terminal: 7.8kg (max.)
- The withdrawal Force And Male Terminal: 3.0kg (Min.)
- Crimp tensile strength: AWG#22~#18: 5.0kg (Min.)
 AWG#16~#14: 10.0kg (Min.)
- us File No: E322751



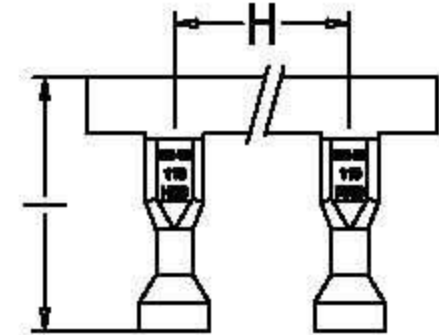
M6350FNS-1(8/5)-b



M6350FNS-1(8/5)-b1



M6350FNS-1(8/5)-R



M6350FNS-1(8/5)-R1

Ordering Information And Dimensions

	Part NO.	A	B	C	D	E	F	G	H	I	Wire Size	Ins.Dia.max
110#	M6350FN(S)-1(8)-R	4.00	6.30	4.70	4.05	0.25	18.80	4.70	18.90	27.30	AWG#22~#18	3.05mm
	M6350FN(S)-1(8)-R1	4.00	6.30	7.60	4.05	0.25	20.80	7.60	18.90	25.30	AWG#22~#18	5.84mm
	M6350FN(S)-1(8)-b	4.00	6.30	5.80	4.65	0.25	19.80	5.85	18.90	25.30	AWG#16~#14	4.06mm
	M6350FN(S)-1(8)-b1	4.00	6.30	8.30	4.65	0.25	21.80	8.35	18.90	27.30	AWG#16~#14	6.60mm
	M6350FN(S)-1(5)-R	4.00	6.30	4.70	4.05	0.25	18.80	4.70	18.90	27.30	AWG#22~#18	3.05mm
	M6350FN(S)-1(5)-R1	4.00	6.30	7.60	4.05	0.25	20.80	7.60	18.90	25.30	AWG#22~#18	5.84mm
	M6350FN(S)-1(5)-b	4.00	6.30	5.80	4.65	0.25	19.80	5.85	18.90	25.30	AWG#16~#14	4.06mm
	M6350FN(S)-1(5)-b1	4.00	6.30	8.30	4.65	0.25	21.80	8.35	18.90	27.30	AWG#16~#14	6.60mm
	M6350FN(S)-1(5)-P	4.00	6.20	3.60	4.00	0.25	18.80	3.80	18.90	25.30	AWG#26~#22	2.50mm
	M6350FN(S)-1(8)-P	4.00	6.20	3.60	4.00	0.25	18.80	3.80	18.90	25.30	AWG#26~#22	2.50mm

