

# .250" Series Nylon-insulated Female Terminal

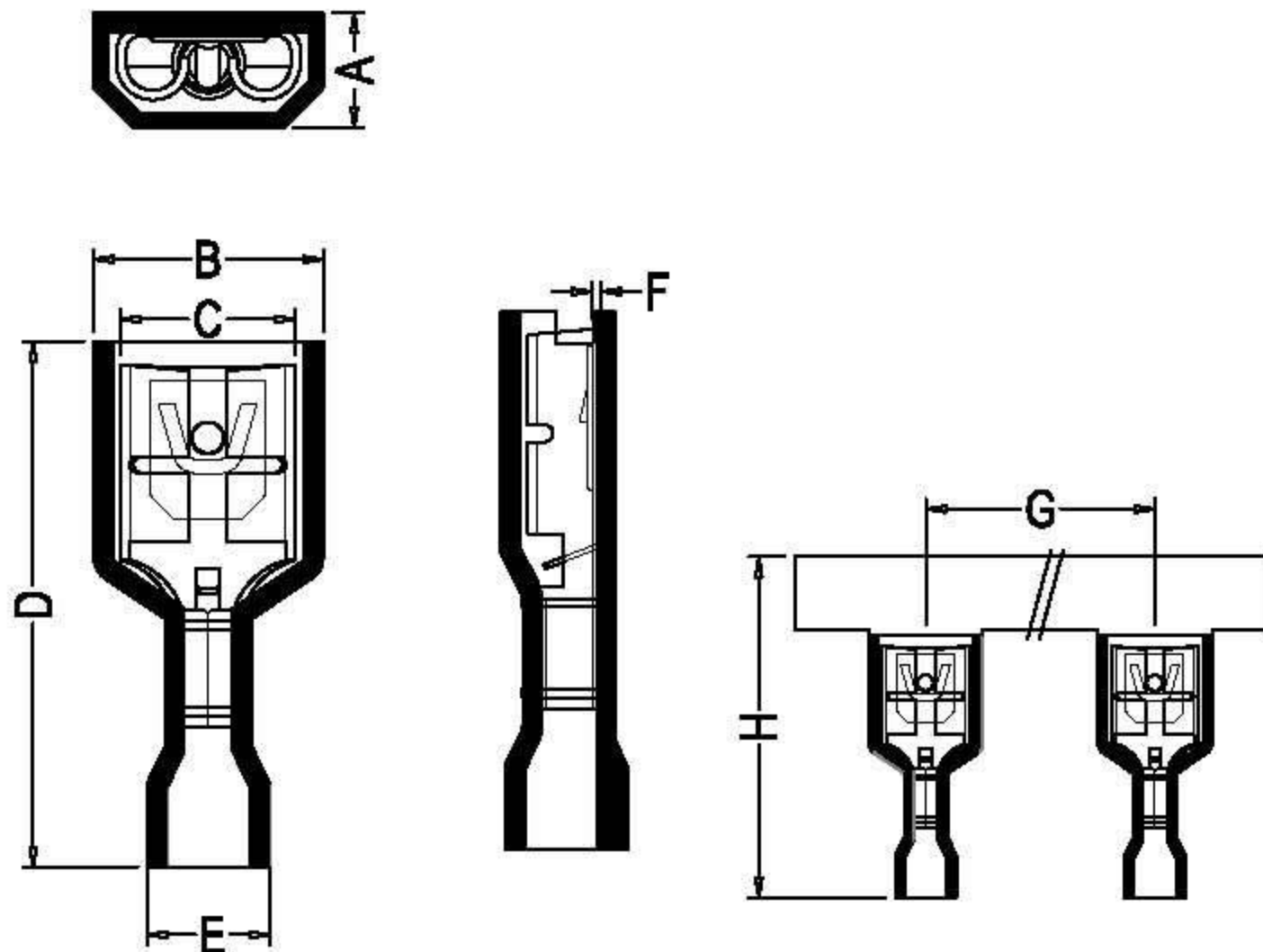
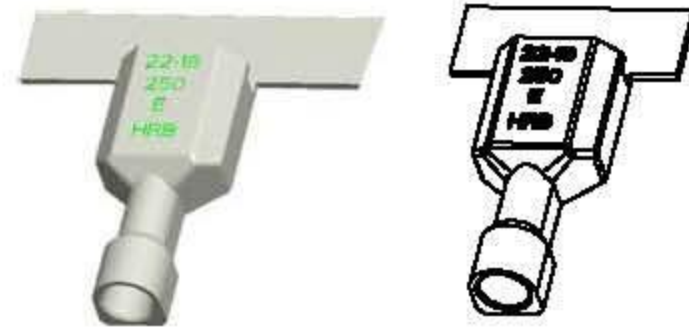


## SPECIFICATIONS:

- Current Rating: AWG#22~#18 :10A AC,DC  
AWG#16~#14 :15A AC,DC  
AWG#12~#10:24A AC,DC
- Voltage Rating:300V AC,DC
- Operating Temperature:-25℃~+105℃
- Material:Housing:Nylon66 UL 94V-2  
Terminal:Brass.Tin-Plated
- Tab Size: 6.35x0.80mm
- The Insertion Force And Male Terminal:7.8kg (max.)
- The withdrawal Force And Male Terminal:3.0kg (Min.)
- Crimp tensile strength:AWG#22~#18:5.0kg (Min.)  
AWG#16~#14:10.0kg (Min.)  
AWG#12~#10:34.0kg (Min.)
- cULus File No:E322751

Shenzhen Hongru Connector Co., Ltd

Email:yukyli@hrb-connector.com  
Tel: 86-0755 2709 6669  
Fax: 86-0755 2709 2392  
Skype: haiyuncheng-vivian  
Mobile(whatsapp): 86-186 8112 3590  
Website: http://www.hrb-connector.com



## Ordering information and dimensions

	Part NO.	A	B	C	D	E	F	G	H	Wire Size	Ins.Dia.max
250#	M6350FN(S)-5(8)-R	4.92	9.73	7.60	21.60	5.35	0.40	18.78	28.20	AWG#22~#18	3.05mm
	M6350FN(S)-5(8)-R1	4.92	9.70	7.60	23.70	7.50	0.40	18.78	29.30	AWG#22~#18	5.84mm
	M6350FN(S)-5(8)-b	4.92	9.73	7.60	21.60	6.15	0.40	18.78	28.20	AWG#16~#14	4.06mm
	M6350FN(S)-5(8)-b1	4.92	9.73	7.60	23.80	8.30	0.40	18.78	29.30	AWG#16~#14	6.60mm
	M6350FN(S)-5(8)-Y	6.40	9.75	7.60	23.60	10.20	0.40	18.80	28.10	AWG#12~#10	8.13mm